

NITROSource



PSA Nitrogen Generators

Advanced on-site nitrogen generation technology delivering lowest cost, energy efficient nitrogen gas on demand.



ON-SITE NITROGEN GAS GENERATION

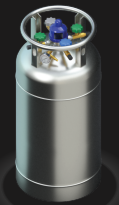
UP TO
90%
COST
SAVINGS

Typical capital payback is achievable in 12-24 months.

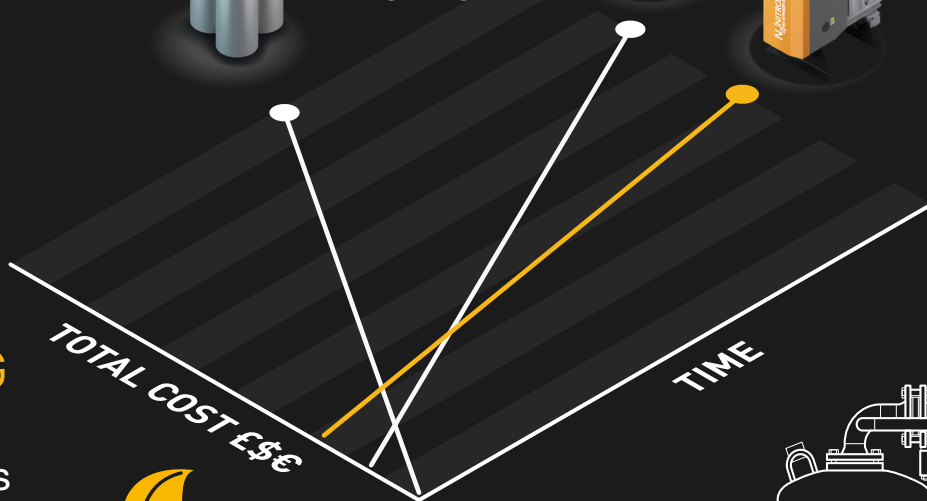
CYLINDERS
Low initial cost but high on-going cost



LIQUID N2 MINI TANKS
Higher initial cost but lower on-going cost



NITROGEN GAS GENERATORS
Highest initial cost but lowest on-going gas cost



ENERGY SAVING

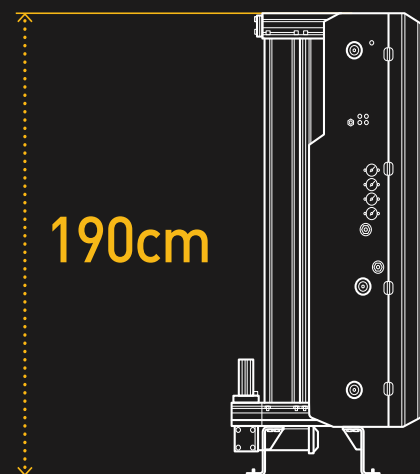
Low energy consumption, reduces environmental impact and saves on operational costs.



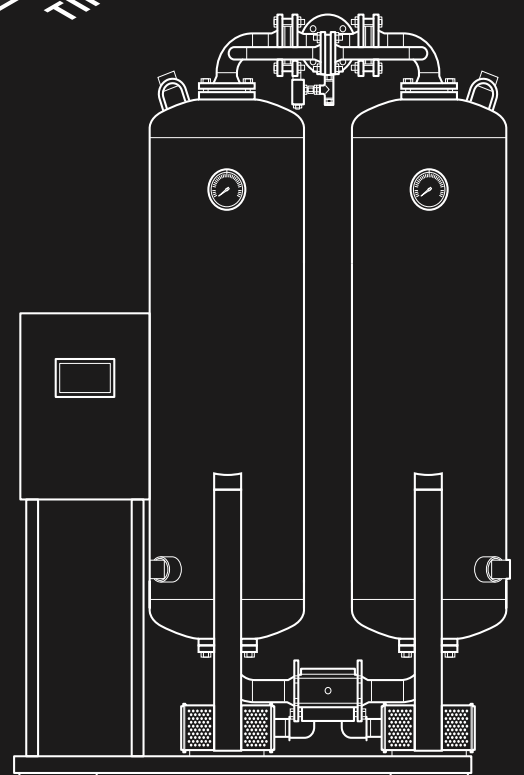
MODULAR CONSTRUCTION

60%

the size and weight of more conventional designs.



190cm



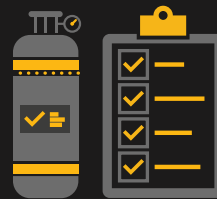
THE TRUE COST OF TRADITIONAL GAS SUPPLY

Based on approximately 10m³ / hour for 4000 hours / year using cylinders or manifold cylinder packs.



100 HOURS
of order administration

800 TONNES
of metal to be distributed by road



100 HOURS
receiving, checking & moving cylinders



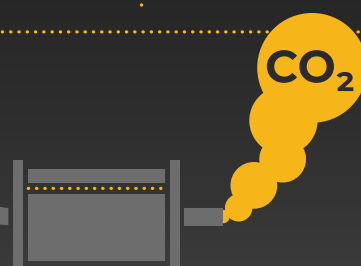
2500
delivery truck miles travelled



4500
compressed gas cylinders

3.5 TONNES

of CO₂ emitted delivering gas



returned unused